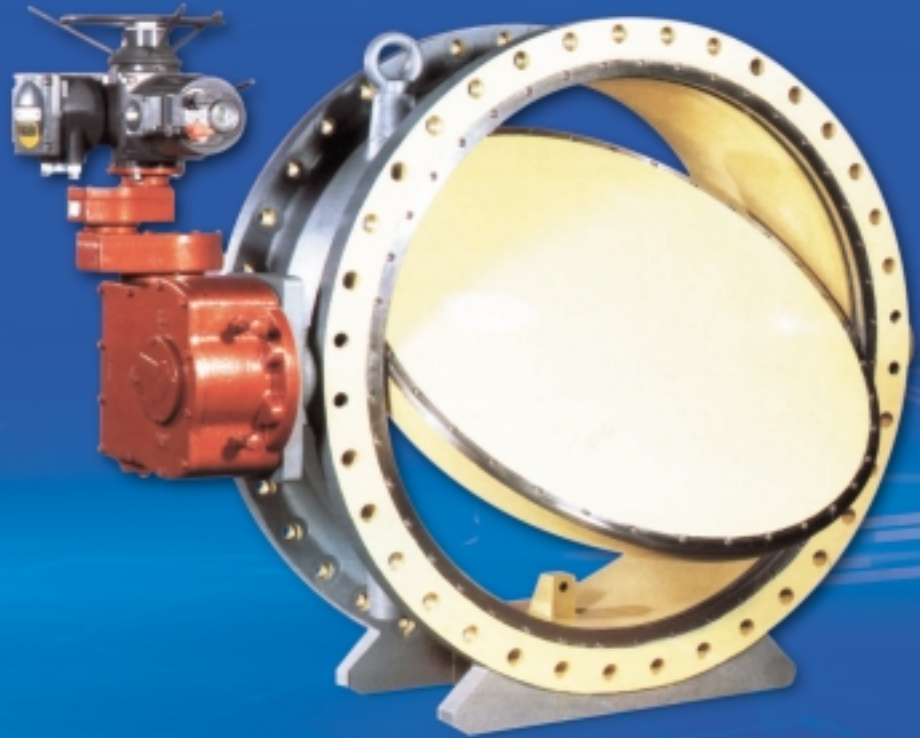




Triple Eccentric Metal Seated Butterfly Valves



A-T ARMATUREN LTD.
<http://www.at-valve.com>
E-mail: at-valve@biznet.vic.net.au

A-T ARMATUREN LTD.
新德特殊阀门厂有限公司



TUV

**ISO
9000**
EN 29001



SCHROEDAHL & ARAPP
Made in Germany



A-T ARMATUREN LTD.
新德特殊阀门厂有限公司

总经理温健成与外商

TABLE OF CONTENTS

PAGE No.



Manufacturing profile.....	1
Triple off-set theory	2
Seal and Seat combination.....	3
Cast Steel	4
Stainless Steel	5
<i>Dimensions and Weights</i>	6
Dimensions 150#, 300#, 600#	7
Gear Operartor	8

<http://www.a-tcontrols.com>

<http://www.schroedahl.com>

A-T ARMATUREN LTD. OEM manufacturing in Schroedahl & Arapp Spezial Armaturen Co KG, A&T has, over a period of years, established a reputation for manufacturing high technology valves. Their range of triple and double offset butterfly valves are manufactured in sizes from 80mm to 2500mm and pressures from 10 Bar (class 125) to 260 Bar (class 2500).

The A&T OEM range of valves are in use at many of the Water Boards, Water Authorities, Municipalities, Mines, Petrochem and Process plants, and Steel refineries in Germany, as well as U.S.A. and the Asia.

The valves are available in wafer, lugged and double flanged configurations. A wide variety of drillings can be accommodated as well as most European, American and Asian specifications.

Standard

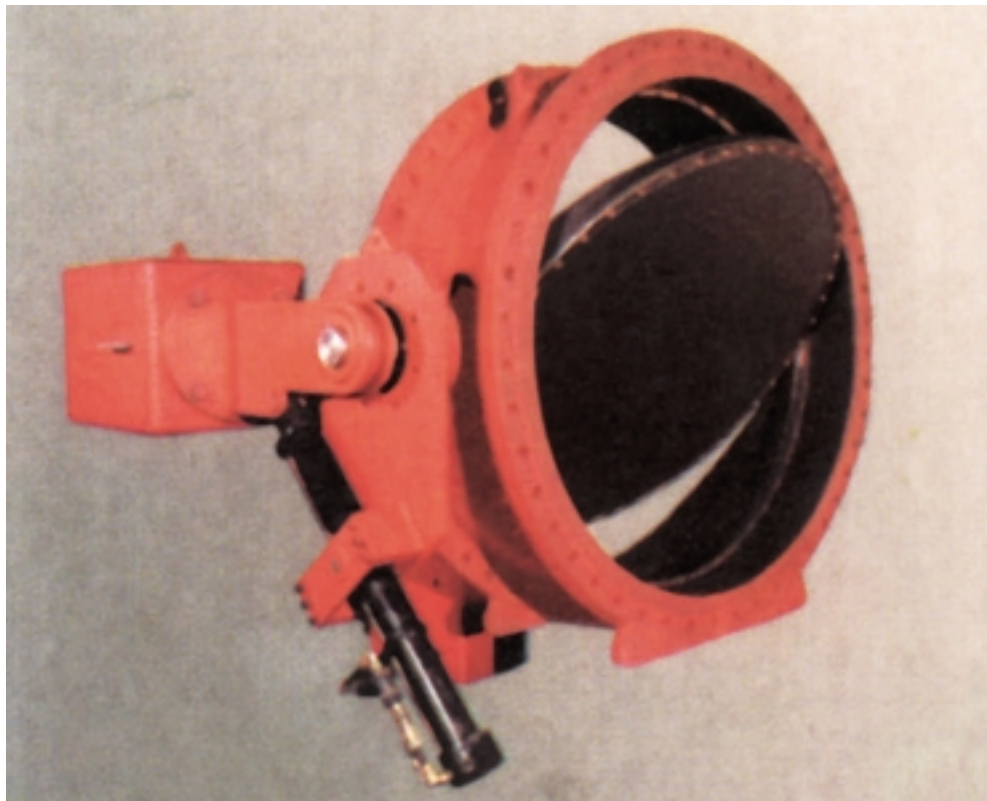
Valve Design:	API 6D, ASME B16.34, ASME B 31.3
Face to Face	ASME B16.10
Dimension:	
End Flange	ASME B16.5, ASME B16.47
Dimensions:	MSS SP 44
Butt Weld Ends:	ASME B 16.25
Test:	API 6D, API 598
Fire Test:	API 6FA, API 607

Certificates:

API 6D
API 6A
ISO 9001
API 6FA, API 607



Manufacturing



三向偏心蝶阀 全金属密封
液动0.1秒/ 气动0.5秒/ 电动/全自力式自动 DN80-DN3000 10Bar-260Bar -253℃ 至 815℃



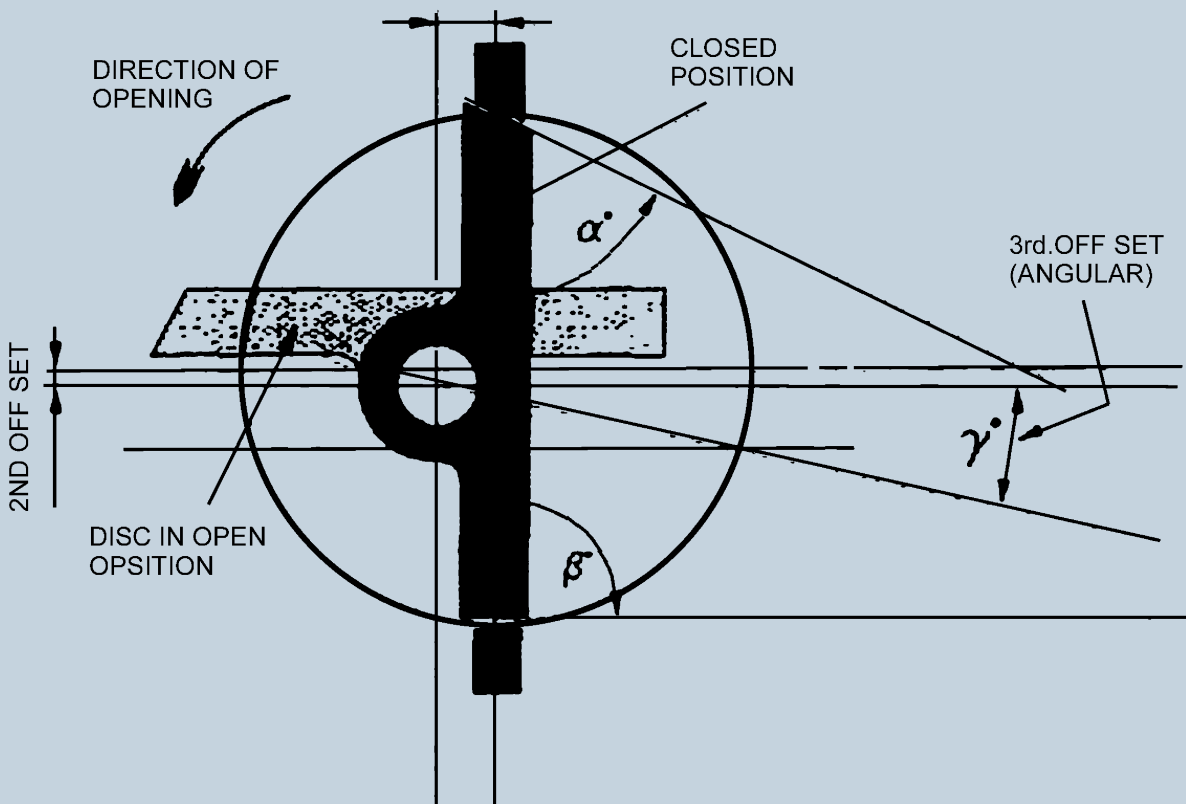


THE TRIPLE OFF-SET DESIGN PRINCIPLE

A&T OEM Metal Seating High Pressure butterfly valves provide a bi-directional bubble tight shut off. This is achieved by introducing state-of-the-art triple eccentric disc geometry.

The valve shaft is off-set against the seal, (1st off-set), and against the centre line of the valve (2nd off-set). The seating edges are machined with a continuously changing slope from an angle α on top of the oval seat ring to an angle β at the opposite side (3rd off-set angular).

This geometry ensures that the seat ring stays clear of the seat except at the final shut-off position, resulting in long seat life and operating cycles in excess of 500 000.

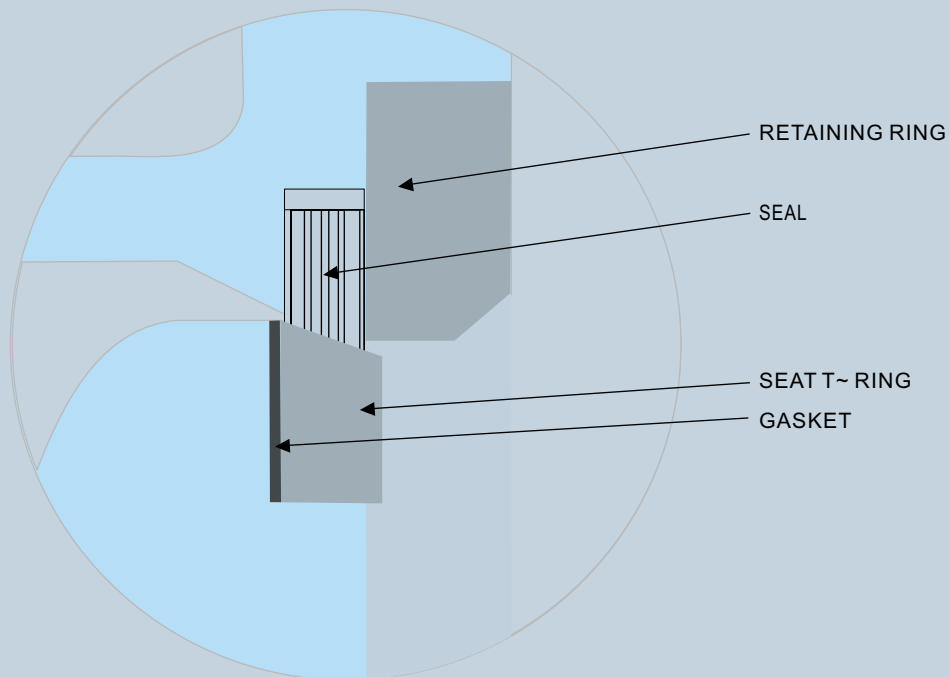




The valve seal is manufactured from laminated stainless steel with PTFE or graphoil laminate depending on the applications. The seal is held in position by a bolt-on retaining ring and, together with the stainless seat ring, is easily replaceable.

A gasket prevents leakage around the seal ring. The metal seating valve can operate within a temperature of -249° to $+600^{\circ}$ C. Valve designs for cryogenic applications are available on request.

For low temperature applications, the metal seat can be substituted by a PTFE seat. A&T OEM High Pressure butterfly valves are manufactured in a wide range of materials to suit most applications.

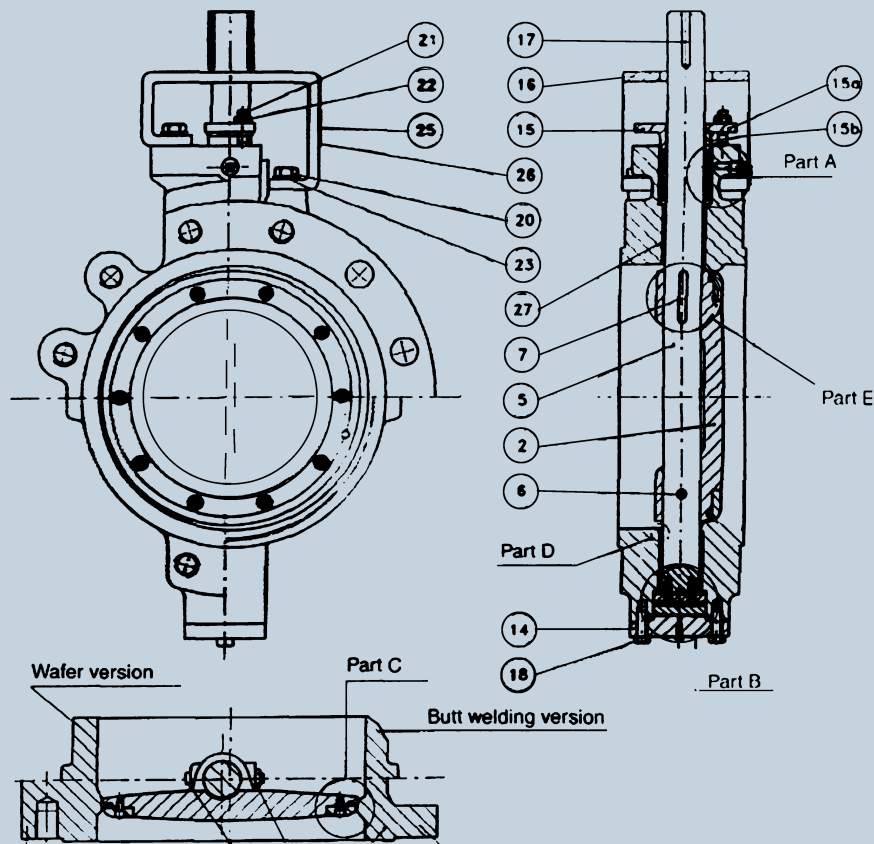


A&T OEM metal seating valves are certified fire safe in accordance with BS6755 : Part 2 : 1987, and API 607, AP16FA. The range has been tested and certified in accordance with API Standards 598.

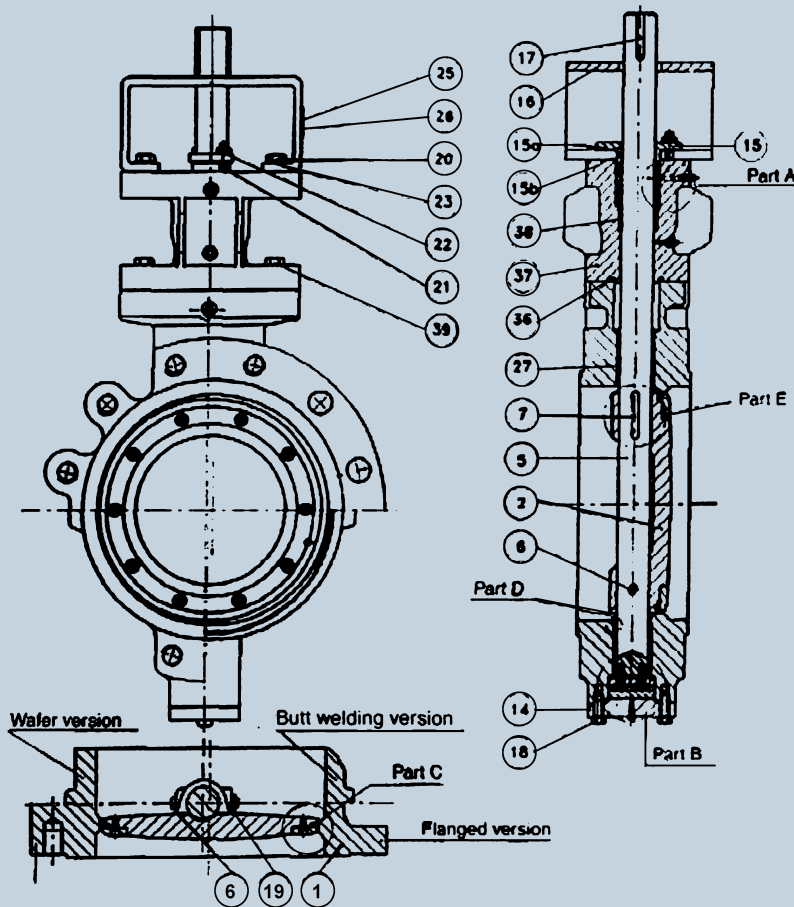


Model MS Standard Bill of Material

Flanged version



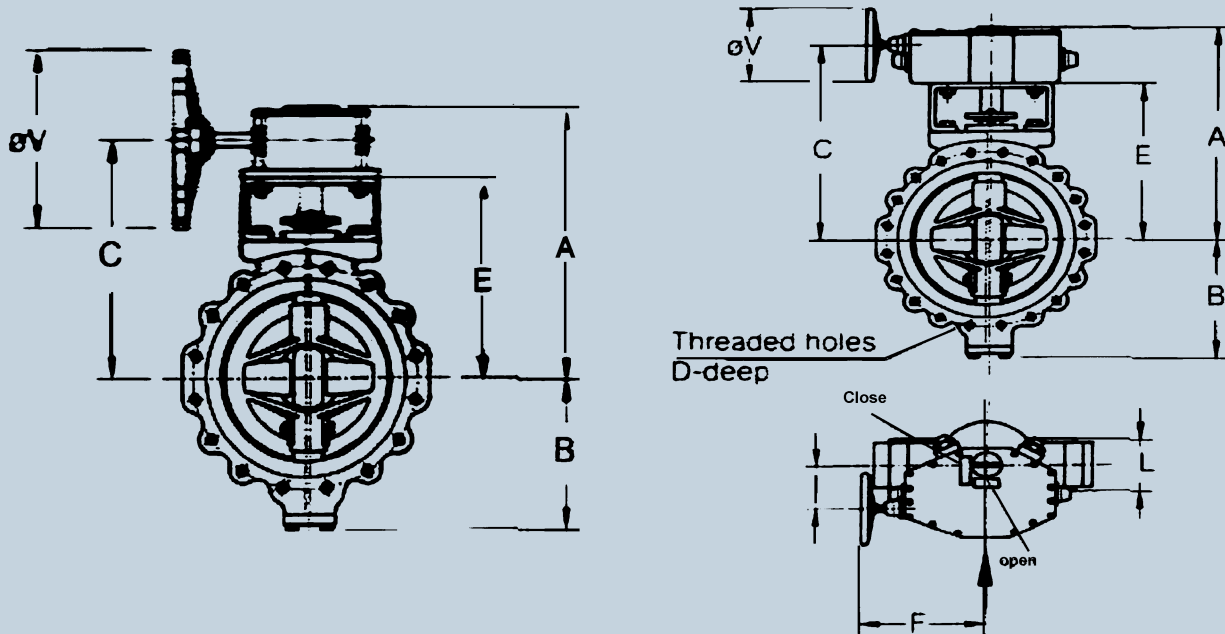
Parts Name	-29°C to 400°C	-29°C to 540°C
	A216-WCB	A216-WC6
1 Body / seat	ASTM A216 WCB / AISI 316	ASTM A216 WC6 / AISI 316
2 Disc	ASTM A216 WCB	ASTM A216 WC6
3. Seal Ring	AISI 430 Laminated	AISI 316LN Lamination
4. Seal ring retainer	ASTM A515 Gr.60	ASTM A240 type 316
5. Shaft	ASTM A182 Gr..F6a	ASTM A479 type XM 19
6. Taper pin	ASTMA182gr.F6a	ASTM A479 type XM
7. Disc key	ASTMA182gr.F6a	19 ASTM A479 type XM
8. Spiral wound gasket*	ASTM I316+Grafoil	19 AISI316+Grafoil ®
9. Retaining screws	ASTM A1 93 B8M	ASTM A1 93 B8M
10. Thrust bearing washer	400 Series Stainless Steel Hardened	ASTM A479 type XM19
11. Thrust bearing screws	ASTM A193 B8M	ASTM A1 93 B8M
12. Unloosening washer	ASTMA182gr.F6a Hardened	ASTM A479 type XM19
13. Spiral wound gasket*	AISI 316+Grafoil ®	AISI 316+Grafoil ®
14. Bottom flange	ASTMA515gr.60	ASTMA216 WC6
15. Gland	ASTM A105	ASTM A216 WC6
16. Bracket	Carbon Steel	Carbon Steel
17. Stem key	AISI 1040	AISI 1040
18. Bottom screws	ASTMA193gr.B7	ASTMA193gr.B8



Parts Name	-60°C to +540°C	-240°C to +540°C
	ASTM A351 CF8M	ASTM A351 CF8M*
1. Body / Seat	ASTM A351 CF8M/ Stellite	ASTM A351 CF8M
2. Disc	ASTM A351 CF8M	ASTM A351 CF8M
3. Seal ring	ASTM A479	AISI 316LN Lamination
4. Seal ring retainer	Type XM19	ASTM A240 type 316
5. Shaft	ASIM A240 type 316	ASTM A479 type XM19
6. Taper pin	ASTM A453 gr.660	ASTM A479 type XM19
7. Disc key	ASTM A453 gr.660	ASTM A479 type XM19
8. Spiral wound gasket	ASTM A453 gr.660	AISI316+Grafoil
9. Retaining screws	AISI 316+Grafoil	ASTM A193 B8M
10. Thrust bearing washer	ASTM A453 gr.660 ASTM A182gr.F316	ASTM A182 B8M Nickel Plated
11. Thrust bearing screws	Stellite	ASTM A193 gr.B8M
12. Unloosening washer	ASTM A193 gr.B8M ASTM A182 gr.F316	ASTM A182 gr.F316 Stellite
13. Spiral wound gasket	Stellite	AISI 316+Grafoil
14. Bottom flange	AISI 316+Grafoil	ASTM A240 type 316
15. Gland	ASTM A240 type 316	ASTMA182 gr.F316
16. Bracket	ASTMA182 gr.F316	Carbon Steel
17. Stem key	Carbon Steel	AISI 1040
18. Bottom screws	AISI 1040	ASTM A193 gr.B16
19. Pin nut	ASTM A193 gr.B16 ASTM A194 gr.8M	ASTM A194 gr.8M



Threaded holes D-deep



1. Suggested orientation is with the valve shaft horizontal or inclined from vertical.
2. All valve materials have been carefully matched to ensure operation to specification, the temperature difference between disc and external body surface should be limited to 100°C. In service above 200°C it is therefore recommended that the body is insulated.
3. Directional arrow represents the direction of the higher pressure side of the valve.
4. Flange drilling ANSI B16.5 150#, 300#, 600#, 900#, 1500# & 2500#.
5. Larger sizes available. ANSI 150# up to 72". ANSI 300# and 600# up to 48"
ANSI 900# and 1500# up to 24"
ANSI 2500# up to 12",



Size 3"-24"ANSI 150#

DN	Size inch	A	B	C	E	ØV	F	I	L	D	WEIGHT Kg
80	3	304	136	264	234	150	120	60	48	18	21
100	4	325	157	285	255	150	120	60	54	24	28
150	6	383	212	332	293	225	175	67	57	25	40
200	8	440	217	389	350	300	220	67	64	28	57
250	10	500	254	447	398	500	340	86	71	22	77
300	12	544	302	491	442	500	340	86	81	26	103
350	14	594	328	522	469	600	340	119	92	27	150
45											
400	16	617	355	545	492	600	340	119	102	26	200
450	18	752	395	644	562	450	310	80	114	29	267
500	20	784	426	676	594	450	310	80	127	28	332
600	24	887	490	774	677	450	425	100	154	32	508

Size 3"-24"ANSI 300#

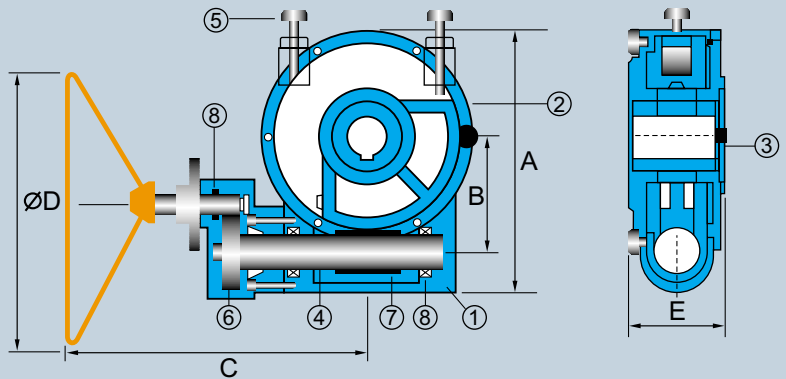
MM	Size inch	A	B	C	E	ØV	F	I	L	D	WEIGHT Kg
80	3	304	136	264	234	150	120	60	48	18	28
100	4	325	157	285	255	150	120	60	54	24	36
150	6	413	212	362	323	300	220	67	59	25	54
200	8	473	231	420	371	500	340	86	73	25	82
250	10	539	283	467	414	600	340	119	83	26	132
300	12	573	311	501	448	600	340	119	92	29	155
350	14	722	362	614	532	450	310	80	117	29	300
400	16	777	380	664	567	450	425	100	133	32	372
450	18	810	419	697	600	450	425	100	149	32	490
500	20	835	444	722	625	450	425	100	159	32	582
600	24	983	518	911	733	450	480	200	181	38	970

Size 3"-24"ANSI 600#

MM	Size inch	A	B	C	E	ØV	F	I	L	D	WEIGHT Kg
80	3	304	136	264	234	150	120	60	48	18	31
100	4	388	185	337	298	300	220	67	64	25	42
150	6	457	238	404	355	500	340	86	78	28	90
200	8	530	279	458	405	600	340	119	102	32	155
250	10	662	309	554	472	450	310	80	117	32	238
300	12	751	346	638	541	450	425	100	140	35	346
350	14	781	382	668	571	450	425	100	155	38	405
400	16	893	432	821	643	450	480	200	178	38	580
450	18	933	454	861	683	450	480	200	229	41	830
500	20	1051	520	979	801	700	630	263	229	41	1090
600	24	1175	587	1100	870	700	630	263	241	48	1680



No	Part	Material
1	Housing	A395
2	Worm Gear	A395
3	Indicator Cover	A395
4	Shaft	AISI 1045
5	Adjusting Bolt	A449
6	Gear	AISI 1045
7	Worm	AISI 1045
8	Bearing	CS



Model	Unit	A	B	C	D	E	Stem dia	Gear Ratio	Torque(inch.lb)
JWG 1	Inch	6.0	2.3	7.50	14	3.0	1.0	30:1	10,000
	mm	152	58	191	360	76	25		
JGW 2	Inch	7.6	2.9	10.5	17	3.8	1.5	42:1	19,800
	mm	193	74	267	430	97	40		
JGW 3	Inch	8.6	3.4	11.5	20	4.2	2.0	50:1	24,700
	mm	218	86	292	510	107	50		
JGW 4	Inch	10.7	4.2	13.2	24	4.6	2.5	55:1	32,000
	mm	272	107	335	610	117	65		
JGW 5	Inch	10.7	4.2	14.2	24	4.6	2.5	55:	59,500
	mm	272	107	361	610	117	65		
JGW 6	Inch	9.4	5.2	14.8	30	5.2	3.0	60:1	40,000
	mm	239	132	376	760	132	80		
JGW 7	Inch	9.4	5.2	15.7	30	5.2	3.0	120:1	75,000
	mm	238	132	399	760	132	80		
JGW 8	Inch	15.8	6.7	18.4	30	6.2	4.0	70:1	81,000
	mm	401	170	467	760	157	100		
JGW 9	Inch	15.8	6.7	20.0	36.0	6.2	4.0	140:1	155,000
	mm	404	170	508	915	157	100		

Notice

- Data listed in this catalogue, including pressure / temperature rating, material specifications, and other performance related data are intended to provide general information and guidelines about A&T products.
- For any specific application, users are kindly requested to contact A&T Valve for technical advice. Failure to follow this request may result in property damage and / or personal injury, for which we shall not be liable.
- We assume no responsibility for errors, impropriety or inadequacy relevant to any information provided in this catalogue. Any information in this catalogue is subject to change without prior notice.



A & T

<http://www.a-tcontrols.com>

<http://www.schroedahl.com>



A-T CONTROLS CORPORATION

Cincinnati, Ohio, USA.
www.a-tcontrols.com
Fax: 1-513-247-5462
Floating Ball Valve Factory

A-T SERVOVALVE ENGINEERING

20010 Ossoona , Italy.
Fax: +39-02-90296708
Trunnion Ball Valve Factory

A & T ARMATUREN

67433 Neustadt / Weinstr,
Siegfriedstr 15, Germany.
Fax: +49-6321-34657
Control & Instrumentation

A-T ARMATUREN LTD.

新德特殊阀门厂有限公司

Room 1206 Chevalier House, 45-51 Chatham Road South,
TsimShaTsui, HongKong.
<http://www.a-tcontrols.com>
<http://www.schroedahl.com>
Logistic distribution Centre
E-mail: atvalve@biznetvigator.com

香港: 香港九龙尖沙咀漆咸道南45-51号其士大厦1206室
Tel: 852-25073069 Fax: 852-25074599

北京: 北京市宣武门外大街6号庄胜广场618室
Tel: 010-63101382 Fax: 010-63103936

广州: 广州大道111号晖景大厦4F室
Tel: 020-87373329 Fax: 020-87383699



Germany manufacturer of A-T

Armaturen Ltd wholly owned subsidiary
under K. Wah International Ltd.
<http://www.schroedahl.com>
fax: +49-9131-6907140